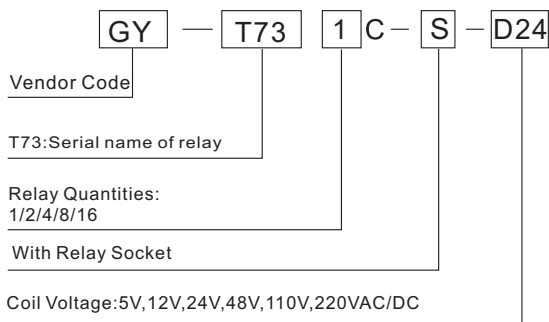


Subminiature Relay Module



Ordering Model Number: GY-T731C-S-D24

Model Number Legend



Dimension

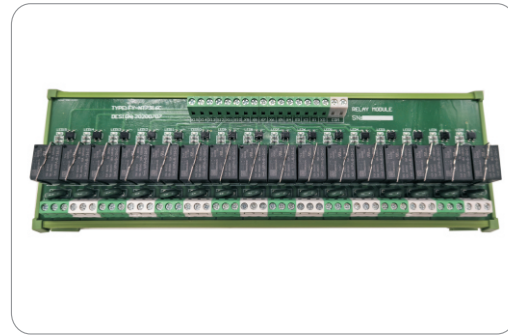
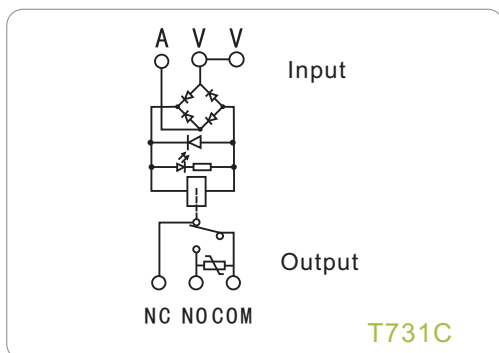
Relay Quantities	Dimension(mm)
1	18×85×44. 20
2	40×85×44. 20
4	70×85×44. 20
8	130×85×44. 20
16	250×85×44. 20

Application

It is used for PLC output load current amplification and isolation protection, and installed in the digital output terminal of PLC, MCU industrial control board, time relay, buttons and other controllers.

It amplifies the output current of the output terminal for high-power equipment and weak current control, to protect the control system not being damaged.

Wiring Diagram



Features

- ◆ 1 NO&NC independent relay module;
- ◆ Built-in MPA Electromagnetic relay certified with CCC, TUV, UL;
- ◆ Switching current upto 10A at 250VAC or 30VDC;
- ◆ Input connections by screw terminal block. NPN&PNP can be interchangeable, AC&DC can be in compatible;
- ◆ Relay status indicator LED, surge suppression protection and overvoltage protection are provided for each relay channel;
- ◆ DIN Rail mountable for width TS15/28/35

Specifications

Input Operate Voltage	DC/AC±10 %
Relay Mounting	Pluggable
Allowable Switching Voltage	10A 250VAC/30VDC
Contact Rating	10A
Input Current per Channel	5.3mA
Operating Time	10ms max
Release Time	5ms max
Input/Output Connection	Screw Connection
Suitable Cable	0.2 ~ 2.5mm ²
Stripping Length	6-7mm
Din Rail Mounting Size	15/28/35mm
Dielectric strength	2.5KV, 50Hz, 1MIN
Ambient temperature	-20°C ~ 50°C

Circuit Design

- ◆ Professional circuit design, with protection of short circuit, anti-interference, output over-voltage or over-current.
- ◆ The advanced production process uses wave soldering, to keep the circuit appearance perfect and quality assurance.

