



**PRODUCT  
SELECTION MANUAL**  
产品选型手册

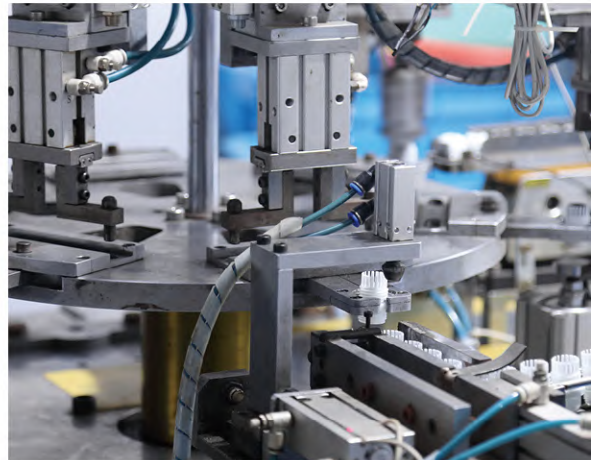




# TAIHECHANG

精良的设计与制造，成就真正的经典  
Excellent design and manufacture can achieve real classics.

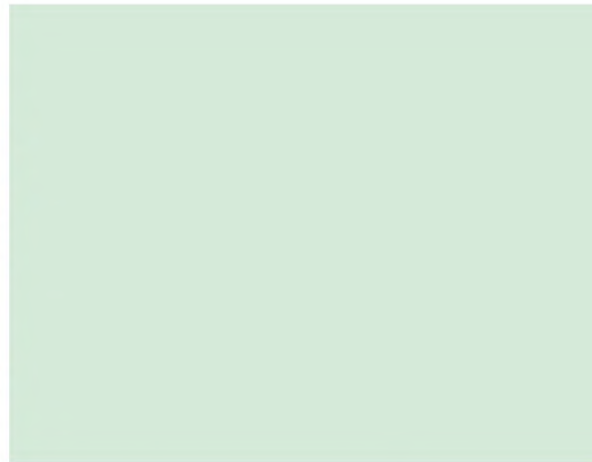






# About us

关于我们



# CONTENTS

---

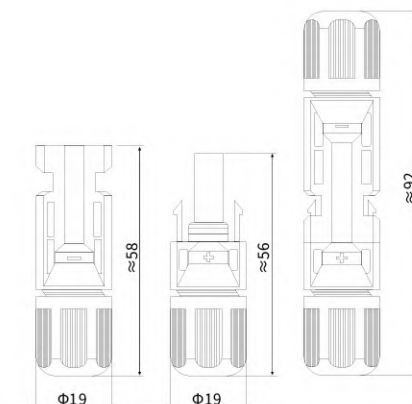
## 内页产品目录导航

◎ 光伏连接器 PV connector .....	01-08
◎ PG 型电缆接头 PG Type Nylon Cable Gland .....	09
◎ PG 型加长电缆接头 PG-Length Nylon Cable Gland .....	10
◎ M 型电缆接头 M Type Nylon Cable Gland .....	11
◎ M 型加长电缆接头 M-Length Nylon Cable Gland .....	12
◎ NPT 型电缆接头 NPT Type Nylon Cable Gland .....	13
◎ G 型电缆接头 G Type Nylon Cable Gland .....	14
◎ MG 型电缆接头 MG Type Nylon Cable Gland .....	15
◎ 特殊多孔定制 / 彩色定制 Multiple Hole&Color Customization .....	16

---

◎ PG 型金属电缆接头 PG Type Metal Cable Gland.....	17
◎ M 型金属电缆接头 M Type Metal Cable Gland.....	18
◎ PG 型防折弯电缆接头 PG Type Spiral Nylon Cable Gland .....	19
◎ M 型防折弯电缆接头 M Type Spiral Nylon Cable Gland.....	20
◎ PG 型波纹管快速接头 PG Type Quick Connector for Flexible Pipes .....	21
◎ M 型波纹管快速接头 M Type Quick Connector for Flexible Pipes .....	22
◎ PG/M 型圆形塞头 Plug The Pieces Of PG/M Type .....	23
◎ 尼龙变径环 Nylon reducing ring .....	24

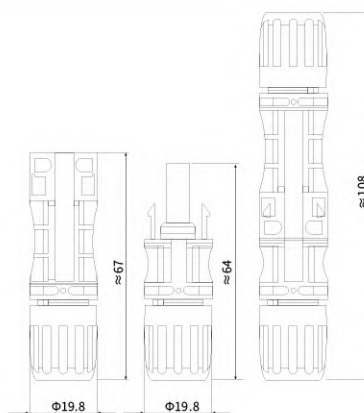
### 太阳能直流连接器 GCPV-TA01 Solar DC Connector



额定电流: 30A 或 50A  
 额定电压: 1000VDC(IEC)DC(UL)  
 环境温度范围: -40°C ~+90°C (ec)  
 防护级别: IP67 防护等级 IP2X 防护等级  
 插头连接器的接触电阻 :0.5mΩ  
 接触材料: 紫铜, 镀锡  
 连接方式: 嵌入式 (nur/only MC4)  
 阻燃等级: UL94-HB/UL94-VO  
 电缆尺寸: 2.5-6mm<sup>2</sup>

Rated current:30A or 50A  
 Rated voltage:1000VDC(IEC) DC(UL)  
 Ambient temperature range:-40°C ~+90°C (ec)  
 Degree of protection:IP67mated IP2X unmated  
 Contact resistance of plug connectors:0.5mΩ  
 Contact material:Copper, tin plated  
 Locking system plug connectors:Snap-in(nur/only MC4)  
 Flame class:UL94-HB/UL94-VO  
 Cable size:2.5-6mm<sup>2</sup>

### 太阳能直流连接器 GCPV-TA02 Solar DC Connector

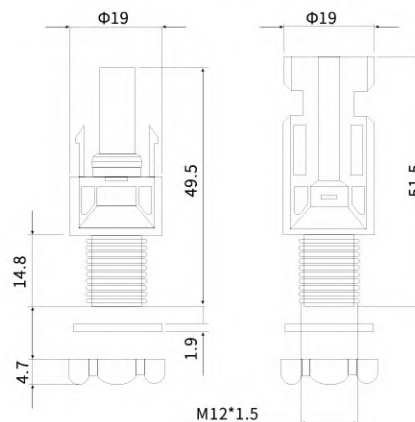


额定电流: 30A 或 50A  
 额定电压: 1500VDC(IEC)DC(UL)  
 环境温度范围: -40°C ~+90°C (ec)  
 防护级别: IP67 防护等级 IP2X 防护等级  
 插头连接器的接触电阻 :0.5mΩ  
 接触材料: 紫铜, 镀锡  
 连接方式: 嵌入式 (nur/only MC4)  
 阻燃等级: UL94-HB/UL94-VO  
 电缆尺寸: 2.5-10mm<sup>2</sup>

Rated current:30A or 50A  
 Rated voltage:1500VDC(IEC) DC(UL)  
 Ambient temperature range:-40°C ~+90°C (ec)  
 Degree of protection:IP67mated IP2X unmated  
 Contact resistance of plug connectors:0.5mΩ  
 Contact material:Copper, tin plated  
 Locking system plug connectors:Snap-in(nur/only MC4)  
 Flame class:UL94-HB/UL94-VO  
 Cable size:2.5-10mm<sup>2</sup>

## 光伏连接器 PV connector

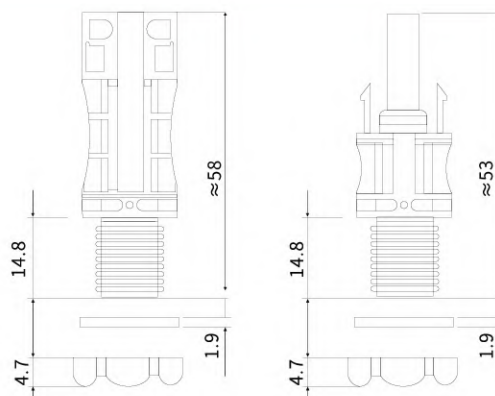
### 太阳能直流连接器 GCPV-TB04 Solar DC Connector



额定电流: 30A 或 50A  
 额定电压: 1000VDC(IEC)DC(UL)  
 环境温度范围: -40°C ~+90°C (ec)  
 防护级别: IP67 防护等级 IP2X 防护等级  
 插头连接器的接触电阻: 0.5mΩ  
 接触材料: 紫铜, 镀锡  
 连接方式: 嵌入式 (nur/only MC4)  
 阻燃等级: UL94-HB/UL94-VO  
 电缆尺寸: 2.5-6mm<sup>2</sup>

Rated current: 30A or 50A  
 Rated voltage: 1000VDC(IEC) DC(UL)  
 Ambient temperature range: -40°C ~+90°C (ec)  
 Degree of protection: IP67 mated IP2X unmated  
 Contact resistance of plug connectors: 0.5mΩ  
 Contact material: Copper, tin plated  
 Locking system plug connectors: Snap-in (nur/only MC4)  
 Flame class: UL94-HB/UL94-VO  
 Cable size: 2.5-6mm<sup>2</sup>

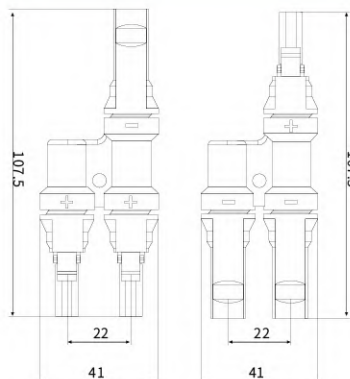
### 太阳能直流连接器 GCPV-TB03 Solar DC Connector



额定电流: 30A 或 50A  
 额定电压: 1500VDC(IEC)DC(UL)  
 环境温度范围: -40°C ~+90°C (ec)  
 防护级别: IP67 防护等级 IP2X 防护等级  
 插头连接器的接触电阻: 0.5mΩ  
 接触材料: 紫铜, 镀锡  
 连接方式: 嵌入式 (nur/only MC4)  
 阻燃等级: UL94-HB/UL94-VO  
 电缆尺寸: 2.5-10mm<sup>2</sup>

Rated current: 30A or 50A  
 Rated voltage: 1500VDC(IEC) DC(UL)  
 Ambient temperature range: -40°C ~+90°C (ec)  
 Degree of protection: IP67 mated IP2X unmated  
 Contact resistance of plug connectors: 0.5mΩ  
 Contact material: Copper, tin plated  
 Locking system plug connectors: Snap-in (nur/only MC4)  
 Flame class: UL94-HB/UL94-VO  
 Cable size: 2.5-10mm<sup>2</sup>

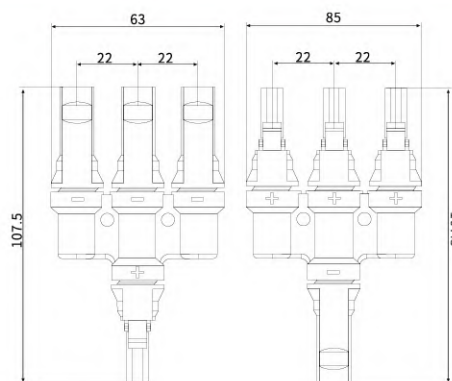
### 分支连接器 Branch connector GCPV-TB3 T1/2



额定电流: 50A  
 额定电压: 1500VDC(IEC)800VDC(UL)  
 环境温度范围: -40°C ~+90°C (ec)  
 防护级别: IP67 防护等级 IP2X 防护等级  
 插头连接器的接触电阻 :0.5mΩ  
 接触材料: 紫铜, 镀锡  
 连接方式: 嵌入式 (nur/onlyMC4)  
 阻燃等级: UL94-HB/UL94-VO  
 电缆尺寸: 2.5mm<sup>2</sup>、4mm<sup>2</sup>、6mm<sup>2</sup>  
 二极管 / 熔丝型: 肖特基二极管 / 光伏熔丝

Rated current:50A  
 Rated voltage:1500VDC(IEC) 800VDC(UL)  
 Ambient temperature range:-40°C ~+90°C (ec)  
 Degree of protection:IP67mated IP2X unmated  
 Contact resistance of plug connectors:0.5mΩ  
 Contact material:Copper, tin plated  
 Locking system plug connectors:Snap-in(nur/only MC4)  
 Flame class:UL94-HB/UL94-VO  
 Cable size:2.5mm<sup>2</sup>、4mm<sup>2</sup>、6mm<sup>2</sup>  
 Diode/Fuse Type: Schottky Diode/PV Fuse

### 分支连接器 Branch connector GCPV-TB4 T1/3



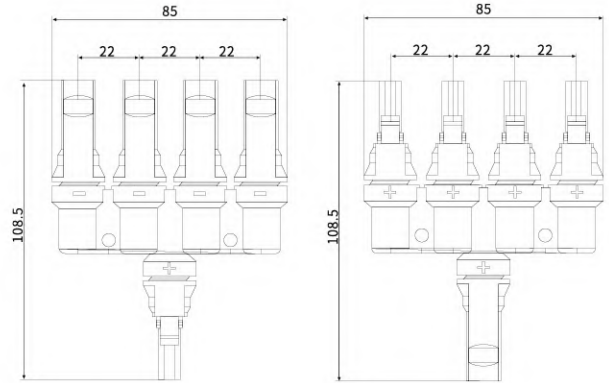
额定电流: 50A  
 额定电压: 1500VDC(IEC)800VDC(UL)  
 环境温度范围: -40°C ~+90°C (ec)  
 防护级别: IP67 防护等级 IP2X 防护等级  
 插头连接器的接触电阻 :0.5mΩ  
 接触材料: 紫铜, 镀锡  
 连接方式: 嵌入式 (nur/onlyMC4)  
 阻燃等级: UL94-HB/UL94-VO  
 电缆尺寸: 2.5mm<sup>2</sup>、4mm<sup>2</sup>、6mm<sup>2</sup>  
 二极管 / 熔丝型: 肖特基二极管 / 光伏熔丝

Rated current:50A  
 Rated voltage:1500VDC(IEC) 800VDC(UL)  
 Ambient temperature range:-40°C ~+90°C (ec)  
 Degree of protection:IP67mated IP2X unmated  
 Contact resistance of plug connectors:0.5mΩ  
 Contact material:Copper, tin plated  
 Locking system plug connectors:Snap-in(nur/only MC4)  
 Flame class:UL94-HB/UL94-VO  
 Cable size:2.5mm<sup>2</sup>、4mm<sup>2</sup>、6mm<sup>2</sup>  
 Diode/Fuse Type: Schottky Diode/PV Fuse

## 光伏连接器

PV connector

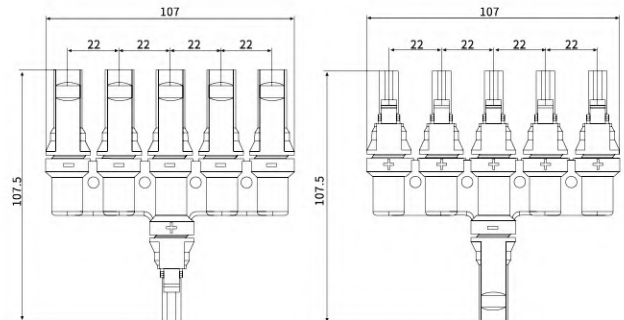
### 分支连接器 Branch connector GCPV-TB5 T1/4



额定电流: 50A  
额定电压: 1500VDC(IEC)800DC(UL)  
环境温度范围: -40°C ~+90°C (ec)  
防护级别: IP67 防护等级 IP2X 防护等级  
插头连接器的接触电阻: 0.5mΩ  
接触材料: 紫铜, 镀锡  
连接方式: 嵌入式 (nur/only MC4)  
阻燃等级: UL94-HB/UL94-VO  
电缆尺寸: 2.5mm<sup>2</sup>、4mm<sup>2</sup>、6mm<sup>2</sup>  
二极管 / 熔丝型: 肖特基二极管 / 光伏熔丝

Rated current: 50A  
Rated voltage: 1500VDC(IEC) 800DC(UL)  
Ambient temperature range: -40°C ~+90°C (ec)  
Degree of protection: IP67 mated IP2X unmated  
Contact resistance of plug connectors: 0.5mΩ  
Contact material: Copper, tin plated  
Locking system plug connectors: Snap-in (nur/only MC4)  
Flame class: UL94-HB/UL94-VO  
Cable size: 2.5mm<sup>2</sup>、4mm<sup>2</sup>、6mm<sup>2</sup>  
Diode/Fuse Type: Schottky Diode/PV Fuse

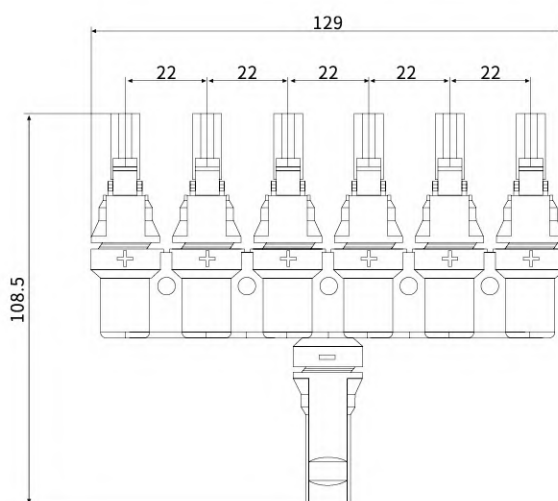
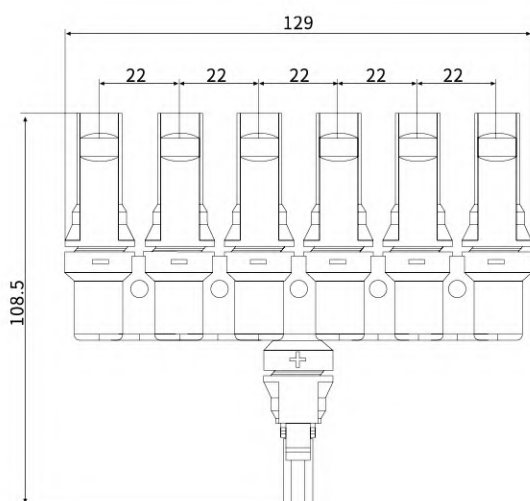
### 分支连接器 Branch connector GCPV-TB5 T1/5



额定电流: 50A  
额定电压: 1500VDC(IEC)800DC(UL)  
环境温度范围: -40°C ~+90°C (ec)  
防护级别: IP67 防护等级 IP2X 防护等级  
插头连接器的接触电阻: 0.5mΩ  
接触材料: 紫铜, 镀锡  
连接方式: 嵌入式 (nur/only MC4)  
阻燃等级: UL94-HB/UL94-VO  
电缆尺寸: 2.5mm<sup>2</sup>、4mm<sup>2</sup>、6mm<sup>2</sup>  
二极管 / 熔丝型: 肖特基二极管 / 光伏熔丝

Rated current: 50A  
Rated voltage: 1500VDC(IEC) 800DC(UL)  
Ambient temperature range: -40°C ~+90°C (ec)  
Degree of protection: IP67 mated IP2X unmated  
Contact resistance of plug connectors: 0.5mΩ  
Contact material: Copper, tin plated  
Locking system plug connectors: Snap-in (nur/only MC4)  
Flame class: UL94-HB/UL94-VO  
Cable size: 2.5mm<sup>2</sup>、4mm<sup>2</sup>、6mm<sup>2</sup>  
Diode/Fuse Type: Schottky Diode/PV Fuse

分支连接器 Branch connector GCPV-TB7 T1/6



额定电流：50A

额定电压：1500VDC(IEC)800DC(UL)

环境温度范围：-40°C ~+90°C (ec)

防护级别：IP67 防护等级 IP2X 防护等级

插头连接器的接触电阻：0.5mΩ

接触材料：紫铜，镀锡

连接方式：嵌入式 (nur/only MC4)

阻燃等级：UL94-HB/UL94-VO

电缆尺寸：2.5mm<sup>2</sup>、4mm<sup>2</sup>、6mm<sup>2</sup>

二极管 / 熔丝型：肖特基二极管 / 光伏熔丝

Rated current:50A

Rated voltage:1500VDC(IEC) 800DC(UL)

Ambient temperature range:-40°C ~+90°C (ec)

Degree of protection:IP67mated IP2X unmated

Contact resistance of plug connectors:0.5mΩ

Contact material:Copper, tin plated

Locking system plug connectors:Snap-in(nur/only MC4)

Flame class:UL94-HB/UL94-VO

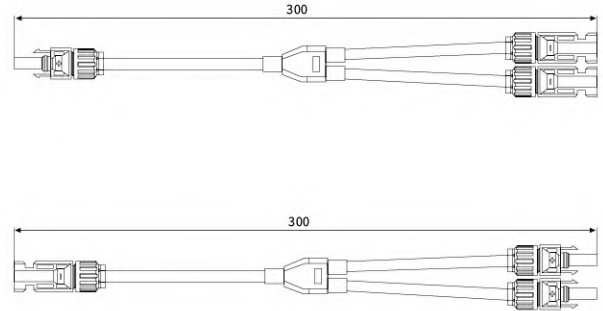
Cable size:2.5mm<sup>2</sup>、4mm<sup>2</sup>、6mm<sup>2</sup>

Diode/Fuse Type: Schottky Diode/PV Fuse

## 光伏连接器

PV connector

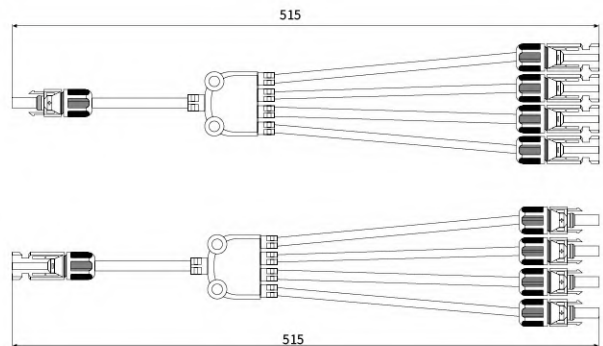
### 分支连接器 Branch connector GCPV-TA3 Y1/2



额定电流: 30A  
额定电压: 1000VDC(IEC)800DC(UL)  
环境温度范围: -40°C ~+90°C (ec)  
防护级别 :IP67 防护等级 IP2X 防护等级  
插头连接器的接触电阻 :0.5mΩ  
接触材料 :紫铜, 镀锡  
锁定系统的连接方式: 嵌入式 (nur/onlyMC4)  
阻燃等级 :UL94-HB/UL94-VO  
电缆尺寸 : 2.5mm<sup>2</sup>、4mm<sup>2</sup>、6mm<sup>2</sup>  
二极管 / 熔丝型: 肖特基二极管 / 光伏熔丝

Rated current:30A  
Rated voltage:1000VDC(IEC) 800DC(UL)  
Ambient temperature range:-40°C ~+90°C (ec)  
Degree of protection:IP67mated IP2X unmated  
Contact resistance of plug connectors:0.5mΩ  
Contact material:Copper, tin plated  
Locking system plug connectors:Snap-in(nur/only MC4)  
Flame class:UL94-HB/UL94-VO  
Cable size:2.5mm<sup>2</sup>、4mm<sup>2</sup>、6mm<sup>2</sup>  
Diode/Fuse Type: Schottky Diode/PV Fuse

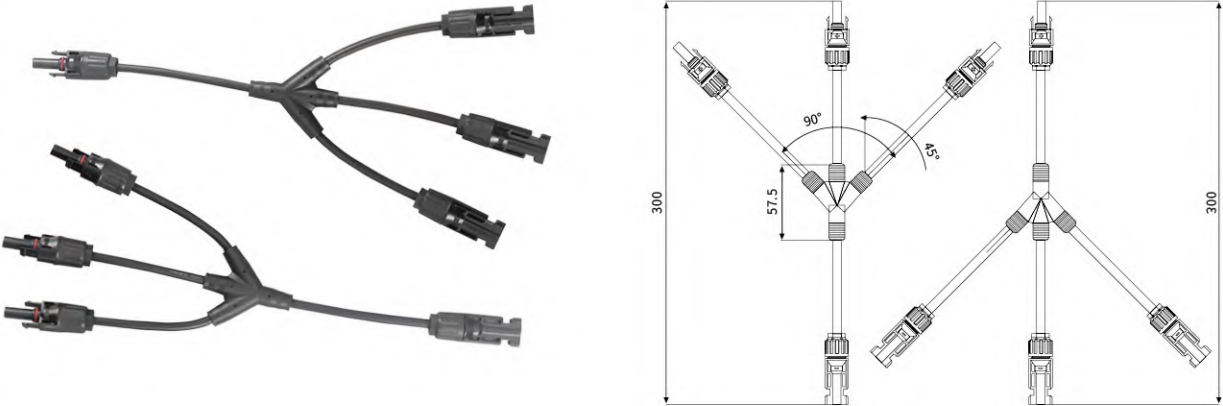
### 分支连接器 Branch connector GCPV-TA5 Y1/4



额定电流: 30A  
额定电压: 1000VDC(IEC)800DC(UL)  
环境温度范围: -40°C ~+90°C (ec)  
防护级别 :IP67 防护等级 IP2X 防护等级  
插头连接器的接触电阻 :0.5mΩ  
接触材料 :紫铜, 镀锡  
连接方式: 嵌入式 (nur/onlyMC4)  
阻燃等级 :UL94-HB/UL94-VO  
电缆尺寸 : 2.5mm<sup>2</sup>、4mm<sup>2</sup>、6mm<sup>2</sup>  
二极管 / 熔丝型: 肖特基二极管 / 光伏熔丝

Rated current:30A  
Rated voltage:1000VDC(IEC) 800DC(UL)  
Ambient temperature range:-40°C ~+90°C (ec)  
Degree of protection:IP67mated IP2X unmated  
Contact resistance of plug connectors:0.5mΩ  
Contact material:Copper, tin plated  
Locking system plug connectors:Snap-in(nur/only MC4)  
Flame class:UL94-HB/UL94-VO  
Cable size:2.5mm<sup>2</sup>、4mm<sup>2</sup>、6mm<sup>2</sup>  
Diode/Fuse Type: Schottky Diode/PV Fuse

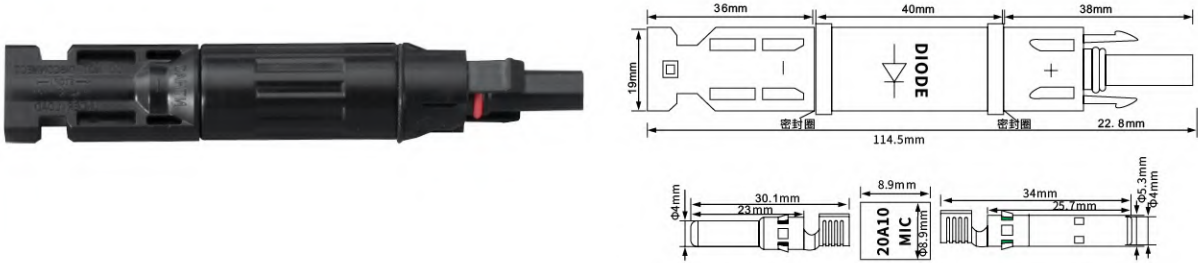
分支连接器 Branch connector GCPV-TA4 Y1/3



额定电流: 30A  
 额定电压: 1000VDC(IEC)800DC(UL)  
 环境温度范围: -40°C ~+90°C (ec)  
 防护级别: IP67 防护等级 IP2X 防护等级  
 插头连接器的接触电阻: 0.5mΩ  
 接触材料: 紫铜, 镀锡  
 连接方式: 嵌入式 (nur/only MC4)  
 阻燃等级: UL94-HB/UL94-VO  
 电缆尺寸: 2.5mm<sup>2</sup>、4mm<sup>2</sup>、6mm<sup>2</sup>  
 二极管 / 熔丝型: 肖特基二极管 / 光伏熔丝

Rated current: 30A  
 Rated voltage: 1000VDC(IEC) 800DC(UL)  
 Ambient temperature range: -40°C ~+90°C (ec)  
 Degree of protection: IP67 mated IP2X unmated  
 Contact resistance of plug connectors: 0.5mΩ  
 Contact material: Copper, tin plated  
 Locking system plug connectors: Snap-in (nur/only MC4)  
 Flame class: UL94-HB/UL94-VO  
 Cable size: 2.5mm<sup>2</sup>、4mm<sup>2</sup>、6mm<sup>2</sup>  
 Diode/Fuse Type: Schottky Diode/PV Fuse

光伏二级管连接器 Photovoltaic secondary tube connector GCPV-TB004F

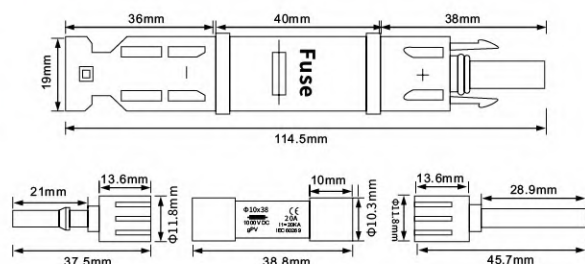


型号: PV004-D  
 额定电压: 1000VDC  
 接触材料: 紫铜, 镀锡  
 额定电流: 10A、15A、20A、25A、30A  
 标准: IEC 62852:2014  
 防护等级: IP65  
 接触电阻: ≤ 0.5mΩ  
 环境温度: -40°C ~+85°C  
 绝缘材料: PPO  
 阻燃等级: UL94 V-0

Model: PV004-D  
 Rated voltage: 1000VDC  
 Contact material: tinned copper  
 Rated current: 10A, 15A, 20A, 25A, 30A  
 Standard: IEC 62852:2014  
 Protection level: IP65  
 Contact resistance: ≤ 0.5mΩ  
 Environmental temperature: -40°C ~+85°C  
 Insulation material: PPO  
 Flame retardant grade: UL94 V-0

## 光伏连接器 PV connector

### 光伏保险丝连接器 Photovoltaic fuse connector GCPV-TB004F



型号: PV004-F  
 额定电压: 1000VDC  
 接触材料: 紫铜, 镀锡  
 额定电流: 10A、15A、20A、25A、30A  
 标准: IEC 62852:2014  
 防护等级: IP65  
 接触电阻:  $\leq 0.5\text{m}\Omega$   
 环境温度:  $-40^{\circ}\text{C} \sim +85^{\circ}\text{C}$   
 绝缘材料: PPO  
 阻燃等级: UL94 V-0

Model: PV004-F  
 Rated voltage: 1000VDC  
 Contact material: tinned copper  
 Rated current: 10A, 15A, 20A, 25A, 30A  
 Standard: IEC 62852:2014  
 Protection level: IP65  
 Contact resistance:  $\leq 0.5\text{m}\Omega$   
 Environmental temperature:  $-40^{\circ}\text{C} \sim +85^{\circ}\text{C}$   
 Insulation material: PPO  
 Flame retardant grade: UL94 V-0

### 光伏配件产品 Photovoltaic accessory products



30A 铜芯 (紫铜)



50A 铜芯 (紫铜)



塑料扳手  
GCPV-T-Wrench



光伏压线钳

## PG 型电缆接头 PG Type Nylon Cable Gland

材料：尼龙、V0 等级

密封件：丁晴橡胶

防护等级：IP68/IP69K（在夹紧范围内，并使用 O 型圈）

环境温度：静态 -40°C 至 100°C，动态 -20°C 至 80°C

供货颜色：灰色，黑色或者白色，其他颜色可定做

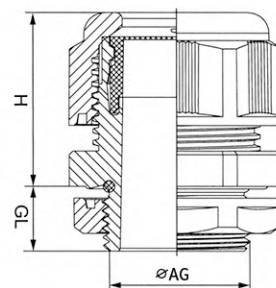
Material:Nylon PA/UL94-V0

Seal:NBR

Protection class:IP68/IP69k(the wire should be in clamping range, and use O-rings.)

Temperature range:-40°C to 100°C in static state,-20°C to 80°C in dynamic state.

Color:Grey,black,white,other colors customized



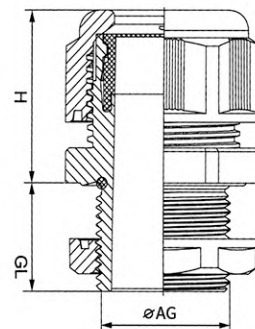
型号 Thread	电缆范围 Cable range(mm)	螺纹外径 AG(mm)	螺纹长度 GL(mm)	扳手径 Spanner Size(mm)
PG7	3-6.5	12.5	8	17/15
PG9	4-8	15.2	8	22/19
PG11	5-10	18.6	9	24/22
PG13.5	6-12	20.4	9	27/24
PG16	10-14	22.5	10	30/27
PG19	10-14	24.0	10	30/27
PG21	13-18	28.0	12	36/33
PG25	15-22	29.5	12	36/37
PG29	18-25	37.0	12	46/41
PG36	25-33	47.0	16	57/52
PG42	32-38	54.0	18	64/62
PG48	37-44	59.0	20	70/65
PG63	42-52	72.0	26	78

## PG 型加长电缆接头

PG-Length Nylon Cable Gland

材料: 尼龙、V0 等级  
 密封件: 丁晴橡胶  
 防护等级: IP68/IP69K (在夹紧范围内, 并使用 O 型圈)  
 环境温度: 静态 -40°C 至 100°C, 动态 -20°C 至 80°C  
 供货颜色: 灰色, 黑色或者白色, 其他颜色可定做

Material: Nylon PA/UL94-V0  
 Seal: NBR  
 Protection class: IP68/IP69k (the wire should be in clamping range, and use O-rings.)  
 Temperature range: -40°C to 100°C in static state, -20°C to 80°C in dynamic state  
 Color: Grey, black, white, other colors customized



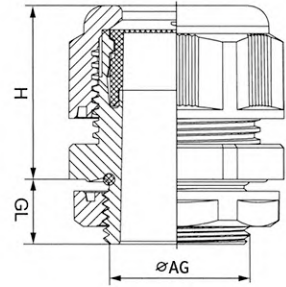
型号 Thread	电缆范围 Cable range(mm)	螺纹外径 AG(mm)	螺纹长度 GL(mm)	扳手径 Spanner Size(mm)
PG7	3-6.5	12.5	15	17/15
PG9	4-8	15.2	15	22/19
PG11	5-10	18.6	15	24/22
PG13.5	6-12	20.4	15	27/24
PG16	10-14	22.5	15	30/27

## M 型电缆接头

M Type Nylon Cable Gland

材料：尼龙、V0 等级  
 密封件：丁晴橡胶  
 防护等级：IP68/IP69K（在夹紧范围内，并使用 O 型圈）  
 环境温度：静态 -40°C 至 100°C，动态 -20°C 至 80°C  
 供货颜色：灰色，黑色或者白色，其他颜色可定做

Material:Nylon PA/UL94-V0  
 Seal:NBR  
 Protection class:IP68/IP69k(the wire should be in clamping range, and use O-rings.)  
 Temperature range:-40°C to 100°C in static state,-20°C to 80°C in dynamic state  
 Color:Grey,black,white,other colors customized



型号 Thread(mm)	电缆范围 Cable range(mm)	螺纹外径 AG(mm)	螺纹长度 GL(mm)	扳手径 Spanner Size(mm)
M8*1.25	2-4.5	8.0	12	13/12
M10*1.5	3-6	10.0	8	15/13
M12*1.5	3-6.5	12.0	8	18/15
M12*1.5	4-8	12.0	8	18/19
M14*1.5	4-8	14.0	9	22/19
M16*1.5	4-8	16.0	9	22/19
M16*1.5	5-10	16.0	9	22/22
M18*1.5	5-10	18.0	10	24/22
M20*1.5	6-12	20.0	10	27/27
M22*1.5	10-14	22.0	11	27/27
M24*1.5	10-14	24.0	11	27/27
M25*1.5	11-15	25.0	11	30/30
M25*1.5	13-18	25.0	11	33/33
M27*1.5	13-18	27.0	12	33/33
M30*1.5	13-18	30.0	12	36/36
M32*1.5	15-22	32.0	12	41/42
M32*1.5	18-25	32.0	12	41/42
M36*1.5	18-25	36.0	12	45/42
M40*1.5	22-33	40.0	15	45/42
M50*1.5	32-38	50.0	17	62/62
M63*1.5	39-45	63.0	20	75/65
M72*2	42-52	72.0	25	/
M75*2	42-52	75.0	25	/
M75*2	50-59	75.0	25	/
M80*2	60-70	80.0	28	/
M88*2	60-70	88.0	28	/
M100*2	80-94	100.0	28	/
M114*2	80-94	114.0	28	/

## M 型加长电缆接头

M-Length Nylon Cable Gland

材料：尼龙、V0 等级

密封件：丁晴橡胶

防护等级：IP68/IP69K（在夹紧范围内，并使用 O 型圈）

环境温度：静态 -40°C 至 100°C，动态 -20°C 至 80°C

供货颜色：灰色，黑色或者白色，其他颜色可定做

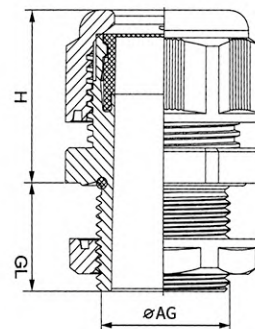
Material:Nylon PA/UL94-V0

Seal:NBR

Protection class:IP68/IP69k(the wire should be in clamping range, and use O-rings.)

Temperature range:-40°C to 100°C in static state,-20°C to 80°C in dynamic state

Color:Grey,black,white,other colors customized



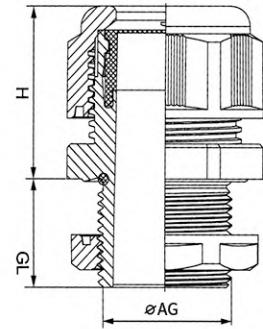
型号 Thread	电缆范围 Cable range(mm)	螺纹外径 AG(mm)	螺纹长度 GL(mm)	扳手径 Spanner Size(mm)
M12*1.5	3-6.5	12.0	15	18/15
M12*1.5	4-8	12.0	15	18/19
M14*1.5	4-8	14.0	15	22/19
M16*1.5	4-8	16.0	15	22/19
M16*1.5	5-10	16.0	15	22/22
M18*1.5	5-10	18.0	15	24/22
M20*1.5	6-12	20.0	15	27/27
M22*1.5	10-14	22.0	15	27/27
M24*1.5	10-14	24.0	15	27/27
M25*1.5	11-15	25.0	15	33/33
M25*1.5	13-18	25.0	15	33/33

## NPT 型电缆接头

NPT Type Nylon Cable Gland

材料: 尼龙、V0 等级  
 密封件: 丁晴橡胶  
 防护等级: IP68/IP69K (在夹紧范围内, 并使用 O 型圈)  
 环境温度: 静态 -40°C 至 100°C, 动态 -20°C 至 80°C  
 供货颜色: 灰色, 黑色或者白色, 其他颜色可定做

Material: Nylon PA/UL94-V0  
 Seal: NBR  
 Protection class: IP68/IP69k (the wire should be in clamping range, and use O-rings.)  
 Temperature range: -40°C to 100°C in static state, -20°C to 80°C in dynamic state  
 Color: Grey, black, white, other colors customized



型号 Thread	电缆范围 Cable range(mm)	螺纹外径 AG(mm)	螺纹长度 GL(mm)	扳手径 Spanner Size(mm)
NPT3/8"	4-8	16.7	10	22/22
NPT1/2"	6-12	21.0	10	27/24
NPT3/4"	13-18	26.4	12	36/33
NPT1"	18-25	33.2	15	46/41
NPT1 1/4"	25-30	41.9	15	57/52
NPT1 1/2"	32-38	48.0	15	60/62
NPT2"	37-44	60.0	18	60/62

## G 型电缆接头

G Type Nylon Cable Gland

材料：尼龙、V0 等级

密封件：丁晴橡胶

防护等级：IP68/IP69K（在夹紧范围内，并使用 O 型圈）

环境温度：静态 -40°C 至 100°C，动态 -20°C 至 80°C

供货颜色：灰色，黑色或者白色，其他颜色可定做

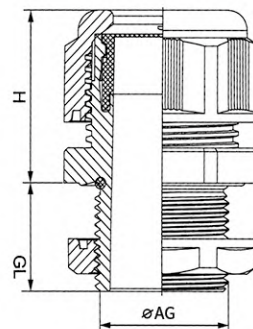
Material:Nylon PA/UL94-V0

Seal:NBR

Protection class:IP68/IP69k(the wire should be in clamping range, and use O-rings.)

Temperature range:-40°C to 100°C in static state,-20°C to 80°C in dynamic state

Color:Grey,black,white,other colors customized



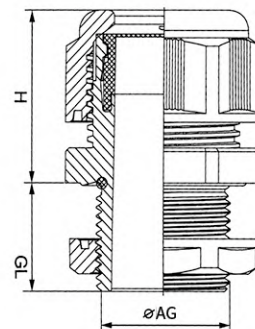
型号 Thread	电缆范围 Cable range(mm)	螺纹外径 AG(mm)	螺纹长度 GL(mm)	扳手径 Spanner Size(mm)
G3/8"	4-8	16.7	10	22/22
G1/2"	6-12	21.0	10	27/24
G3/4"	13-18	26.4	12	36/33
G1"	18-25	33.2	15	46/41
G1 1/4"	25-30	41.9	15	57/52
G1 1/2"	32-38	48.0	15	60/62
G2"	37-44	60.0	18	60/62

## MG 型电缆接头

MG Type Nylon Cable Gland

材料：尼龙、V0 等级  
 密封件：丁晴橡胶  
 防护等级：IP68/IP69K（在夹紧范围内，并使用 O 型圈）  
 环境温度：静态 -40°C 至 100°C，动态 -20°C 至 80°C  
 供货颜色：灰色，黑色或者白色，其他颜色可定做

Material:Nylon PA/UL94-V0  
 Seal:NBR  
 Protection class:IP68/IP69k(the wire should be in clamping range, and use O-rings.)  
 Temperature range:-40°C to 100°C in static state,-20°C to 80°C in dynamic state  
 Color:Grey,black,white,other colors customized



型号 Thread	电缆范围 Cable range(mm)	螺纹外径 AG(mm)	螺纹长度 GL(mm)	扳手径 Spanner Size(mm)
MG12A	4.5-8	12.0	9	17/19
MG16A	6-10	16.0	15	22
MG20A	9-14	20.0	15	26/27
MG25A	13-18	25.0	15	32/33
MG32A	18-25	32.0	15	41
MG40A	24-30	40.0	20	50
MG50A	30-40	50.0	23	60/62
MG63A	40-50	63.0	24	73/75

## 特殊多孔定制 / 彩色定制

Multiple Hole&Color Customization

材料：采用 UL 认可的尼龙材料

防水圈：丁晴橡胶，耐候橡胶

O 型圈：耐候橡胶

环境温度：静态 -40°C至 100°C或瞬间可耐热至 120°C，动态 -20°C至 80°C或瞬间可耐热至 100°C

供货颜色：灰色，黑色，其他颜色可定做

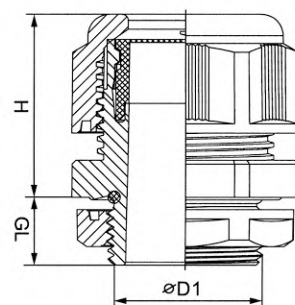
Material:Nylon PA/UL94 V-2

Hermetic seal:NBR,EPDM

O-Ring:EPDM

Temperature range:-40°C to 100°C in static state, Instantaneous heat resistance up to 120°C  
;-20°C to 80°C in dynamic state,Instantaneous heat resistance up to 100°C

Color:grey,black,other colors customized



### 颜色定制

Color customization

■ 灰色 RAL7035

■ 银灰 RAL7001

■ 黑色 RAL9005

□ 白色 RAL9003

■ 蓝色 RAL5012

■ 红色 RAL3020

■ 黄色 RAL1026

■ 绿色 RAL6032

■ Grey RAL7035

■ Silver grey RAL7001

■ Black RAL9005

□ White RAL9003

■ Blue RAL5012

■ Red RAL3020

■ Yellow RAL1026

■ Green RAL6032

可为客户特殊定制其它颜色 Other colors could be customized

## PG 型金属电缆接头 PG Type Metal Cable Gland

材料：金属部分采用黄铜镀镍制成，夹紧件采用尼龙塑料制成

密封件：丁晴橡胶

产品认证：CE 认证、ROHS 认证、SGS 材质认证

防护等级：IP68/IP69K（在夹紧范围内，并使用 O 型圈）

环境温度：静态 -40°C 至 100°C，动态 -20°C 至 80°C

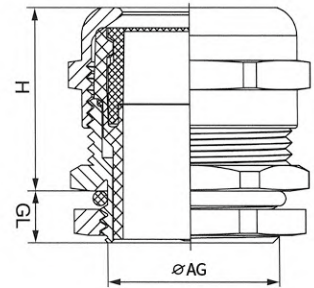
Material: the metal parts are made of nickel-plated brass, the clamping parts are made of nylon plastic (PA)

Seal: NBR

Product Certification: CE, ROHS, SGS

Protection class: IP68/IP69k (the wire should be in clamping range, and use O-rings.)

Temperature range: -40°C to 100°C in static state, -20°C to 80°C in dynamic state



型号 Thread	电缆范围 Cable range(mm)	螺纹外径 AG(mm)	螺纹长度 GL(mm)	扳手径 Spanner Size(mm)
PG7	3-6.5	12.5	7	14
PG9	4-8	15.2	8	17
PG11	5-10	18.6	8	20/21
PG13.5	6-12	20.4	8	22
PG16	10-14	22.5	9	24
PG19	10-14	25.0	9	24/27
PG21	13-18	28.3	9	30
PG25	15-22	32.0	10	35
PG29	18-25	37.0	11	40
PG36	25-33	47.0	12	50
PG42	32-38	54.0	13	57
PG48	37-44	59.3	14	64
PG63	42-52	72.0	15	77

## M 型金属电缆接头

M Type Metal Cable Gland

材料：金属部分采用黄铜镀镍制成，夹紧件采用尼龙塑料制成

密封件：丁晴橡胶

产品认证：CE 认证、ROHS 认证、SGS 材质认证

防护等级：IP68/IP69K（在夹紧范围内，并使用 O 型圈）

环境温度：静态 -40°C至 100°C，动态 -20°C至 80°C

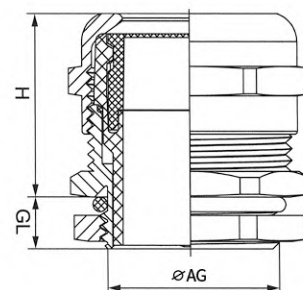
Material:the metal parts are made of nickel-plated brass,the clamping parts are made of nylon plastic(PA)

Seal:NBR

Product Certification:CE、ROHS、SGS

Protection class:IP68/IP69k(the wire should be in clamping range, and use O-rings.)

Temperature range:-40°C to 100°C in static state,-20°C to 80°C in dynamic state

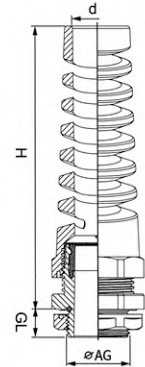


型号 Thread	电缆范围 Cable range(mm)	螺纹外径 AG(mm)	螺纹长度 GL(mm)	扳手径 Spanner Size(mm)
M8	3-5	8.0	6	/
M10	3-6	10.0	7	/
M12*1.5	3-6.5	12.0	7	14
M14*1.5	4-8	14.0	7	17
M16*1.5	4-8	16.0	8	18
M18*1.5	5-10	18.0	8	20
M20*1.5	6-12	20.0	8	22
M22*1.5	10-14	22.0	8	24
M24*1.5	10-14	24.0	9	24/27
M25*1.5	10-14	25.0	9	24/27
M25*1.5	13-18	25.0	9	30/27
M27*1.5(2)	13-18	27.0	9	30
M28*1.5(2)	13-18	28.0	9	30
M30*1.5(2)	13-18	30.0	9	30/32
M32*1.5(2)	15-22	32.0	10	35
M33*1.5(2)	15-22	33.0	10	35
M36*1.5(2)	18-25	36.0	10	40
M37*1.5(2)	18-25	37.0	10	40
M40*1.5(2)	18-25	40.0	11	40/45
M40*1.5(2)	22-30	40.0	11	45
M42*1.5(2)	22-30	42.0	11	45
M47*1.5(2)	25-33	47.0	11	50
M48*1.5(2)	25-33	48.0	11	50/52
M50*1.5(2)	32-38	50.0	12	50/55
M54*1.5(2)	32-38	54.0	12	57
M56*1.5(2)	32-38	56.0	12	57/59
M60*1.5(2)	37-44	60.0	13	64
M63*1.5(2)	37-44	63.0	13	64/68
M64*1.5(2)	37-44	64.0	13	64/68
M72*2	42-52	72.0	15	77
M75*2	42-52	75.0	15	77
M80*2	55-62	80.0	15	88
M88*2	65-70	88.0	15	94
M100*2	78-84	100.0	15	110

## PG 型防折弯电缆接头 PG Type Spiral Nylon Cable Gland

材料：尼龙、V0 等级  
 密封件：丁晴橡胶  
 防护等级：IP68/IP69K（在夹紧范围内，并使用 O 型圈）  
 环境温度：静态 -40°C 至 100°C，动态 -20°C 至 80°C  
 供货颜色：黑色或者白色，其他颜色可定做

Material:Nylon PA/UL94-V0  
 Seal:NBR  
 Protection class:IP68/IP69k(the wire should be in clamping range, and use O-rings.)  
 Temperature range:-40°C to 100°C in static state, -20°C to 80°C in dynamic state  
 Color:black,white,other colors customized



型号 Thread	电缆范围 Cable range(mm)	螺纹外径 AG(mm)	螺纹长度 GL(mm)	扳手径 Spanner Size(mm)
PG7	3-6.5	12.5	8	17/19
PG9	4-8	15.3	8.2	22/19
PG11	5-10	18.4	10	24/22
PG13.5	6-12	20.2	10.8	27/24
PG16	10-14	22.3	10.8	30/27
PG19	10-14	24.1	10.8	30/27
PG21	13-18	28.1	12	36/33

## M 型防折弯电缆接头

M Type Spiral Nylon Cable Gland

材料：尼龙、V0 等级

密封件：丁晴橡胶

防护等级：IP68/IP69K（在夹紧范围内，并使用 O 型圈）

环境温度：静态 -40°C 至 100°C，动态 -20°C 至 80°C

供货颜色：黑色或者白色，其他颜色可定做

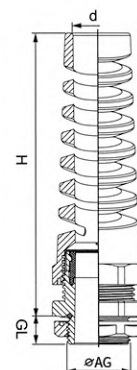
Material: Nylon PA/UL94-V0

Seal: NBR

Protection class: IP68/IP69K (the wire should be in clamping range, and use O-rings.)

Temperature range: -40°C to 100°C in static state, -20°C to 80°C in dynamic state

Color: black, white, other colors customized



型号 Thread	电缆范围 Cable range(mm)	螺纹外径 AG(mm)	螺纹长度 GL(mm)	扳手径 Spanner Size(mm)
M12*1.5	3-6.5	12.0	8.5	18
M14*1.5	4-8	14.0	10	22
M16*1.5	4-8	16.0	10	22
M18*1.5	5-10	18.0	10	24/22
M20*1.5	6-12	20.0	11	27/24
M22*1.5	8-14	22.0	11	30/27
M24*1.5	8-14	24.0	12	33/27
M25*1.5	9-16	25.0	12	33/27
M27*1.5	13-18	27.0	12	33

## PG 型波纹管快速接头

PG Type Quick Connector for Flexible Pipes

材料：尼龙

产品特性：特殊夹紧爪之设计，夹紧浪管抗拉力强，超快速拔插装卸，提高安装效率

防护等级：IP68

环境温度：静态 -40°C至 100°C，动态 -20°C至 80°C

供货颜色：黑色，其他颜色可定做

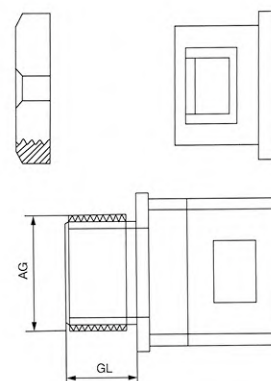
Material:Nylon PA

Features:The claws of excellent design,to provide a fast &safe connection with the tubing and to get an excellent result of the pullout strength to be the best balanced performers for cable protection system.

Protection class:IP68

Temperature range:-40°C to 100°C in static state, -20°C to 80°C in dynamic state

Color:black,other colors customized



适配软管 Accommodated Pipes	螺纹规格 Thread(mm)	螺纹外径 AG(mm)	螺纹长度 GL(mm)
AD10	PG7	12.4	8.5
AD13	PG9	15.2	10
AD15.8	PG11	18.4	12.5
AD18.5	PG13.5	20.4	12.5
AD21.2	PG16	22.4	13
AD25	PG19	24.6	13
AD28.5	PG21	28.3	13
AD34.5	PG29	37.0	14
AD42.5	PG36	47.0	15
AD54.5	PG48	54.0	16

## M 型波纹管快速接头

M Type Quick Connector for Flexible Pipes

材料：尼龙

产品特性：特殊夹紧爪之设计，夹紧浪管抗拉力强，超快速拔插装卸，提高安装效率

防护等级：IP68

环境温度：静态 -40°C至 100°C，动态 -20°C至 80°C

供货颜色：黑色，其他颜色可定做

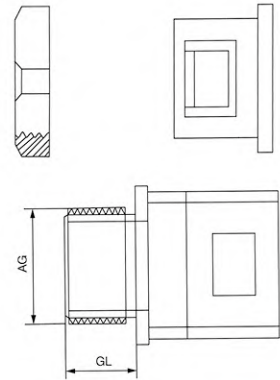
Material:Nylon PA

Features:The claws of excellent design,to provide a fast & safe connection with the tubing and to get an excellent result of the pullout strength to be the best balanced performers for cable protection system.

Protection class:IP68

Temperature range:-40°C to 100°C in static state,-20°C to 80°C in dynamic state

Color:black,other colors customized

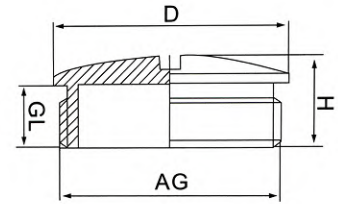


适配软管 Accommodated Pipes	螺纹规格 Thread(mm)	螺纹外径 AG(mm)	螺纹长度 GL(mm)
AD10	M10*1.5	10.0	8.5
	M12*1.5	12.0	8.5
	M16*1.5	16.0	8.5
AD13	M12*1.5	12.0	10
	M16*1.5	16.0	10
	M18*1.5	18.0	10
	M20*1.5	20.0	10
AD15.8	M16*1.5	16.0	12.5
	M18*1.5	18.0	12.5
	M20*1.5	20.0	12.5
AD18.5	M20*1.5	20.0	12.5
AD21.2	M20*1.5	20.0	13
	M24*1.5	24.0	13
	M25*1.5	25.0	13
AD25	M25*1.5	25.0	13
AD28.5	M25*1.5	25.0	13
AD34.5	M32*1.5	32.0	14
AD42.5	M40*1.5	40.0	15
AD54.5	M50*1.5	50.0	16

## PG/M 型圆形塞头 Plug The Pieces Of PG/M Type

材料：尼龙  
密封件：丁晴橡胶  
环境温度：静态 -40°C至 100°C  
供货颜色：黑色或者白色，其他颜色可定做

Material:Nylon PA  
Seal:NBR  
Temperature range:-40°C to 100°C in static state  
Color:black,white,other colors customized



型号 Thread	螺纹长度 GL(mm)	螺纹外径 AG(mm)	扳手径 Spanner Size(mm)
PG7	8.5	12.5	15
PG9	8.5	13.0	19
PG11	9	13.0	22
PG13.5	9	13.0	25
PG16	10.5	15.0	27
PG21	8.5	13.5	33
PG29	11.5	16.0	44
PG36	13.5	18.0	55
PG42	13.5	18.5	62
PG48	14.5	19.5	68

型号 Thread	螺纹长度 GL(mm)	总高度 H(mm)	螺纹外径 AG(mm)	上盖直径 D(mm)
M12*1.5	8.5	12.5	12.0	15
M16*1.5	8.5	13.0	16.0	19
M18*1.5	9	13.0	18.0	22
M20*1.5	9	13.0	20.0	25
M22*1.5	10.5	15.0	22.0	27
M25*1.5	10.5	13.5	25.0	30
M27*1.5	10.5	15.5	27.0	33
M32*1.5	10.5	16.0	32.0	38
M40*1.5	11.5	16.0	40.0	46
M50*1.5	13.5	18.0	50.0	56
M63*1.5	14	19.0	63.0	68

## 尼龙变径环

Nylon reducing ring

材料：尼龙

密封件：丁晴橡胶

环境温度：静态 -40°C至 100°C

供货颜色：黑色或者白色，其他颜色可定做

Material:Nylon PA

Seal:NBR

Temperature range:-40°C to 100°C in static state

Color:black,white,other colors customized



蓝江型号代码 Lanjiang model code	规格 Specifications		外螺纹长 mm	总长度 mm	扳手 mm
	外螺纹 External thread	内螺纹 Internal thread			
黑色 B, 灰白 G Black B, grey G					
M16-M12	M16x1.5	M12x1.5	8	12	19
M20-M16	M20x1.5	M16x1.5	9	13	24
M25-M20	M25x1.5	M20x1.5	11	16	30
M25-M16	M25x1.5	M16x1.5	11	16	30
M32-M25	M32x1.5	M25x1.5	11	16	36
M32-M20	M32x1.5	M20x1.5	11	16	36
M40-M32	M40x1.5	M32x1.5	13	19	45
M40-M25	M40x1.5	M25x1.5	13	19	45
M50-M40	M50x1.5	M40x1.5	14	22	55
M50-M32	M50x1.5	M32x1.5	14	22	55
M63-M50	M63x1.5	M50x1.5	15	25	58
PG9-PG7	PG9	PG7	8	20.5	19
PG11-PG9	PG11	PG9	8	22.5	22
PG13.5-PG11	PG13.5	PG11	9	24	24
PG16-PG11	PG16	PG11	10	27	27
PG16-PG13.5	PG16	PG13.5	10	16	27
PG21-PG16	PG21	PG16	11	16	33
PG29-PG21	PG29	PG21	12	18	42
PG36-PG29	PG36	PG29	13	24	52
PG48-PG42	PG48	PG42	14	24	65