

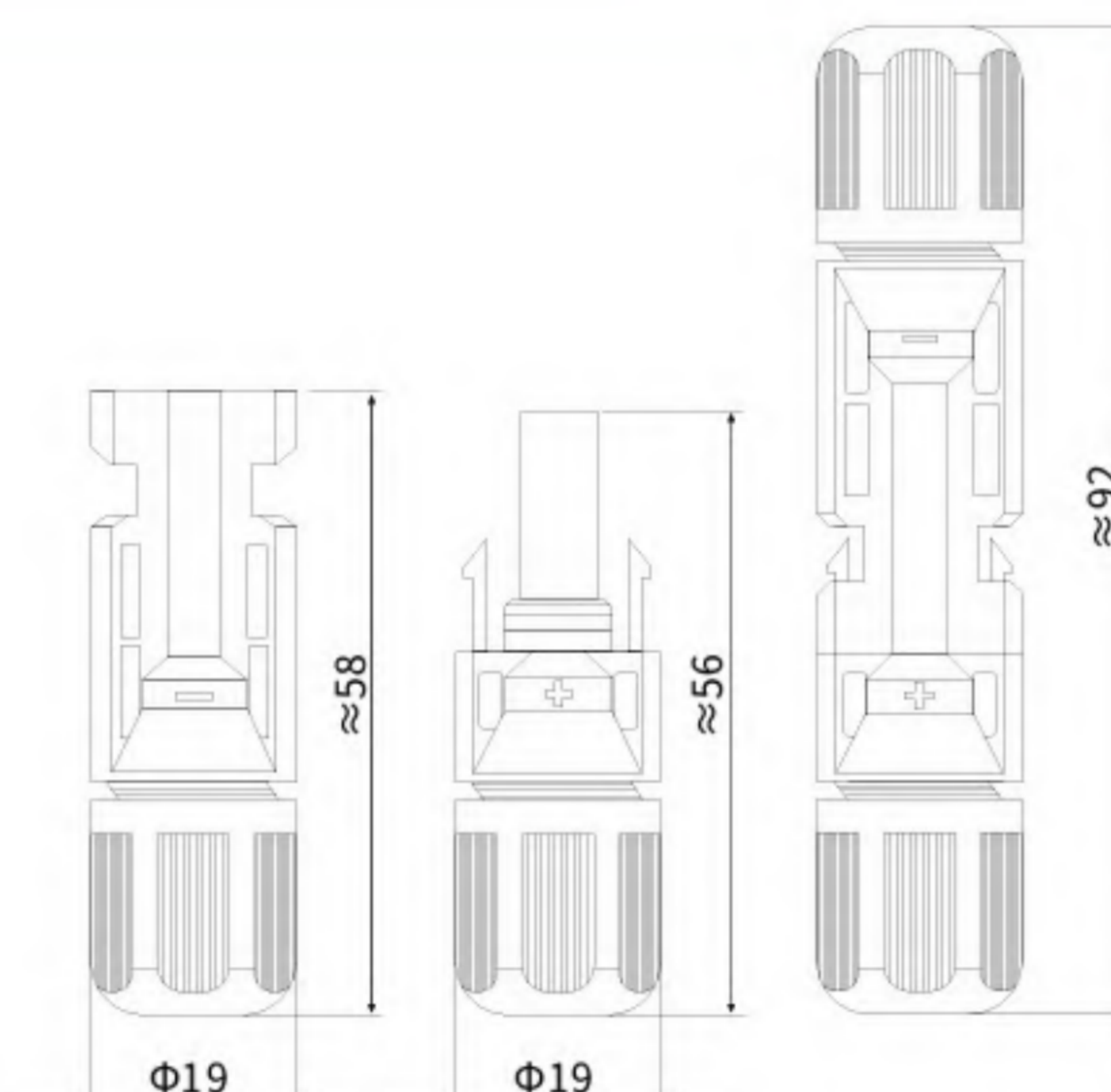


**PRODUCT  
SELECTION MANUAL**  
产品选型手册





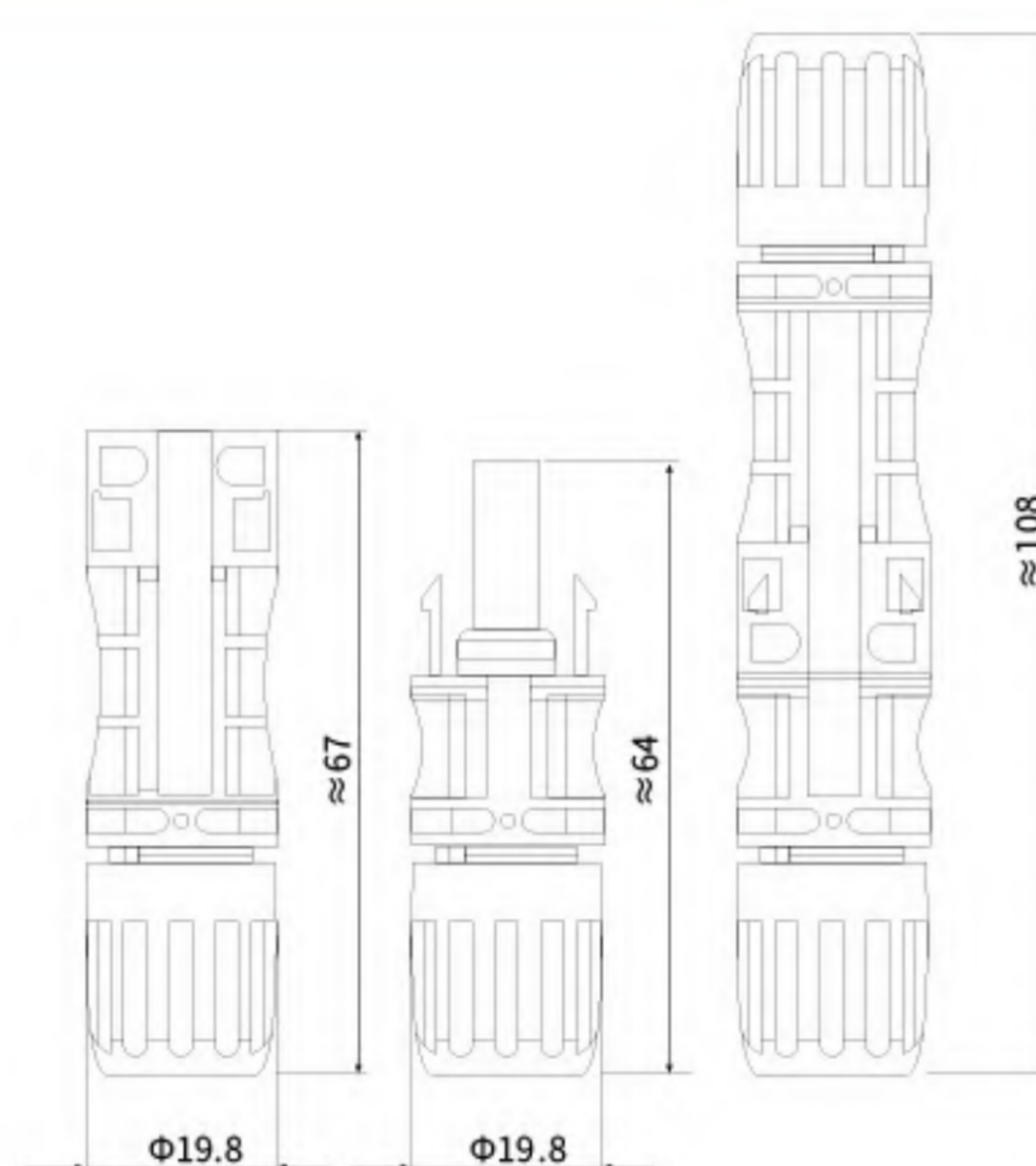
### 太阳能直流连接器 GCPV-TA01 Solar DC Connector



额定电流: 30A 或 50A  
 额定电压: 1000VDC(IEC)DC(UL)  
 环境温度范围: -40°C ~+90°C (ec)  
 防护级别: IP67 防护等级 IP2X 防护等级  
 插头连接器的接触电阻 :0.5mΩ  
 接触材料: 紫铜, 镀锡  
 连接方式: 嵌入式 (nur/only MC4)  
 阻燃等级 :UL94-HB/UL94-VO  
 电缆尺寸 : 2.5-6mm<sup>2</sup>

Rated current:30A or 50A  
 Rated voltage:1000VDC(IEC) DC(UL)  
 Ambient temperature range:-40°C ~+90°C (ec)  
 Degree of protection:IP67mated IP2X unmated  
 Contact resistance of plug connectors:0.5mΩ  
 Contact material:Copper, tin plated  
 Locking system plug connectors:Snap-in(nur/only MC4)  
 Flame class:UL94-HB/UL94-VO  
 Cable size:2.5-6mm<sup>2</sup>

### 太阳能直流连接器 GCPV-TA02 Solar DC Connector

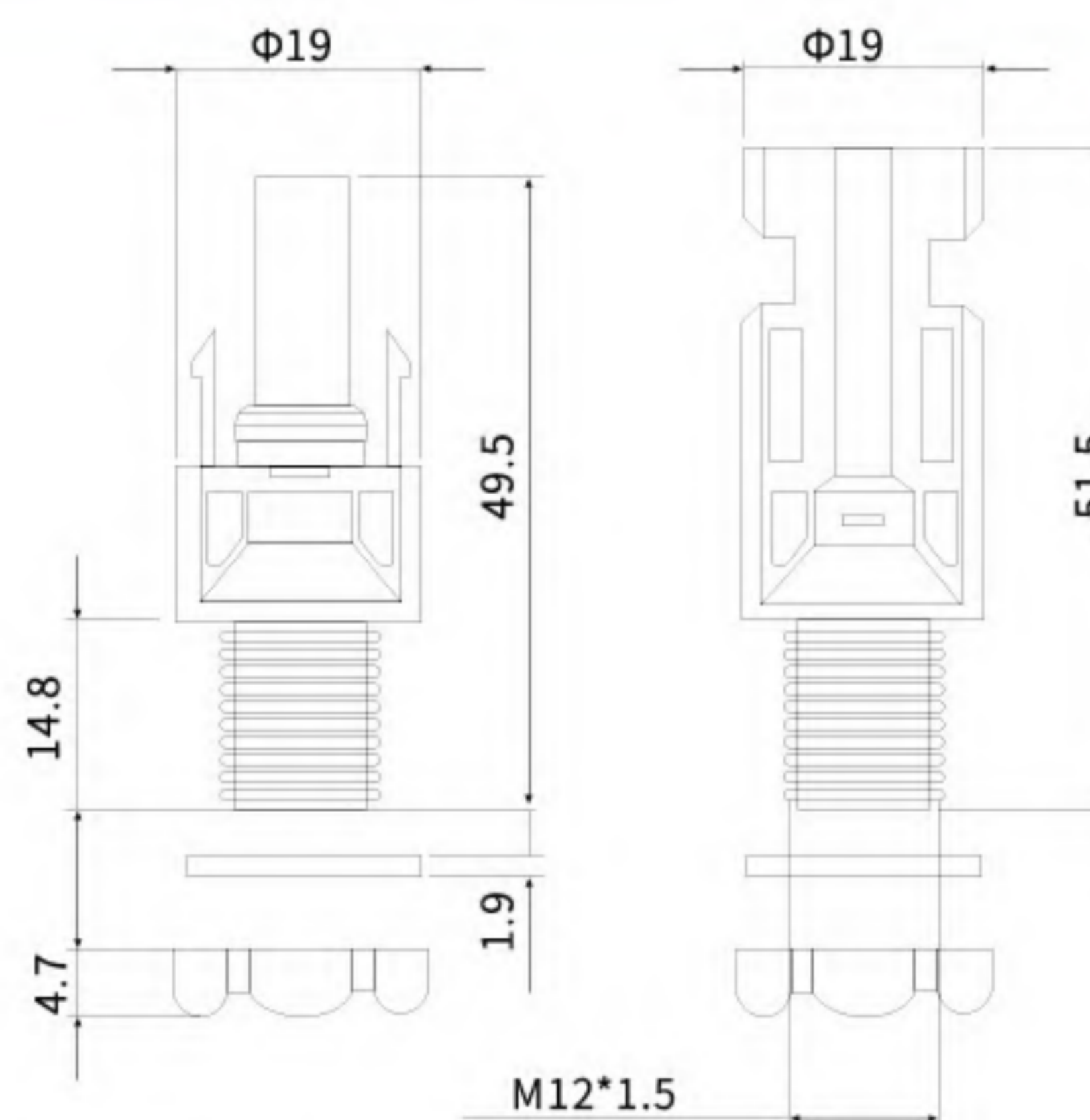


额定电流: 30A 或 50A  
 额定电压: 1500VDC(IEC)DC(UL)  
 环境温度范围: -40°C ~+90°C (ec)  
 防护级别: IP67 防护等级 IP2X 防护等级  
 插头连接器的接触电阻 :0.5mΩ  
 接触材料: 紫铜, 镀锡  
 连接方式: 嵌入式 (nur/only MC4)  
 阻燃等级 :UL94-HB/UL94-VO  
 电缆尺寸 : 2.5-10mm<sup>2</sup>

Rated current:30A or 50A  
 Rated voltage:1500VDC(IEC) DC(UL)  
 Ambient temperature range:-40°C ~+90°C (ec)  
 Degree of protection:IP67mated IP2X unmated  
 Contact resistance of plug connectors:0.5mΩ  
 Contact material:Copper, tin plated  
 Locking system plug connectors:Snap-in(nur/only MC4)  
 Flame class:UL94-HB/UL94-VO  
 Cable size:2.5-10mm<sup>2</sup>

## 光伏连接器 PV connector

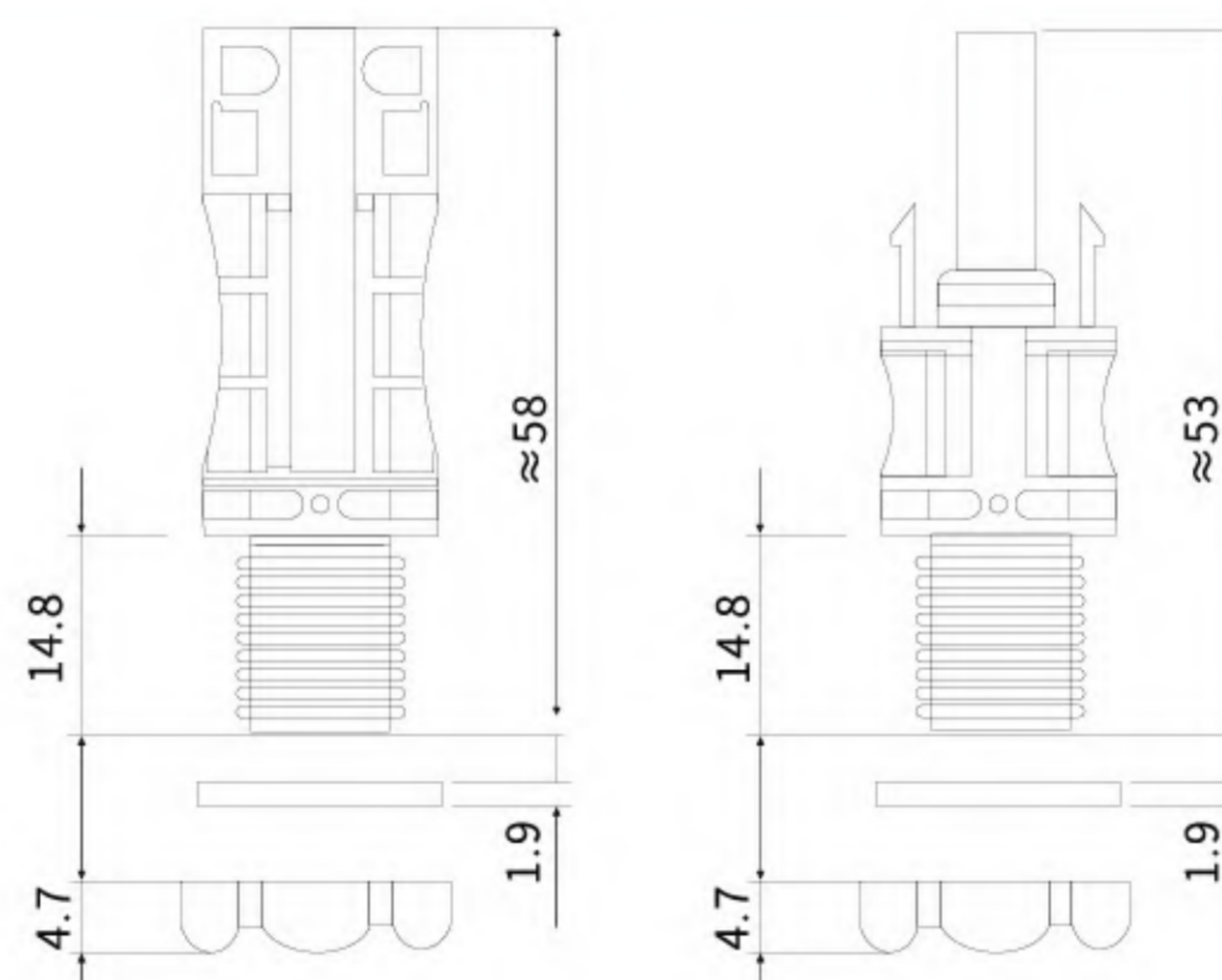
### 太阳能直流连接器 GCPV-TB04 Solar DC Connector



额定电流: 30A 或 50A  
 额定电压: 1000VDC(IEC)DC(UL)  
 环境温度范围: -40°C ~+90°C (ec)  
 防护级别: IP67 防护等级 IP2X 防护等级  
 插头连接器的接触电阻 :0.5mΩ  
 接触材料: 紫铜, 镀锡  
 连接方式: 嵌入式 (nur/onlyMC4)  
 阻燃等级: UL94-HB/UL94-VO  
 电缆尺寸: 2.5-6mm<sup>2</sup>

Rated current:30A or 50A  
 Rated voltage:1000VDC(IEC) DC(UL)  
 Ambient temperature range:-40°C ~+90°C (ec)  
 Degree of protection:IP67mated IP2X unmated  
 Contact resistance of plug connectors:0.5mΩ  
 Contact material:Copper, tin plated  
 Locking system plug connectors:Snap-in(nur/only MC4)  
 Flame class:UL94-HB/UL94-VO  
 Cable size:2.5-6mm<sup>2</sup>

### 太阳能直流连接器 GCPV-TB03 Solar DC Connector



额定电流: 30A 或 50A  
 额定电压: 1500VDC(IEC)DC(UL)  
 环境温度范围: -40°C ~+90°C (ec)  
 防护级别: IP67 防护等级 IP2X 防护等级  
 插头连接器的接触电阻 :0.5mΩ  
 接触材料: 紫铜, 镀锡  
 连接方式: 嵌入式 (nur/onlyMC4)  
 阻燃等级: UL94-HB/UL94-VO  
 电缆尺寸: 2.5-10mm<sup>2</sup>

Rated current:30A or 50A  
 Rated voltage:1500VDC(IEC) DC(UL)  
 Ambient temperature range:-40°C ~+90°C (ec)  
 Degree of protection:IP67mated IP2X unmated  
 Contact resistance of plug connectors:0.5mΩ  
 Contact material:Copper, tin plated  
 Locking system plug connectors:Snap-in(nur/only MC4)  
 Flame class:UL94-HB/UL94-VO  
 Cable size:2.5-10mm<sup>2</sup>