



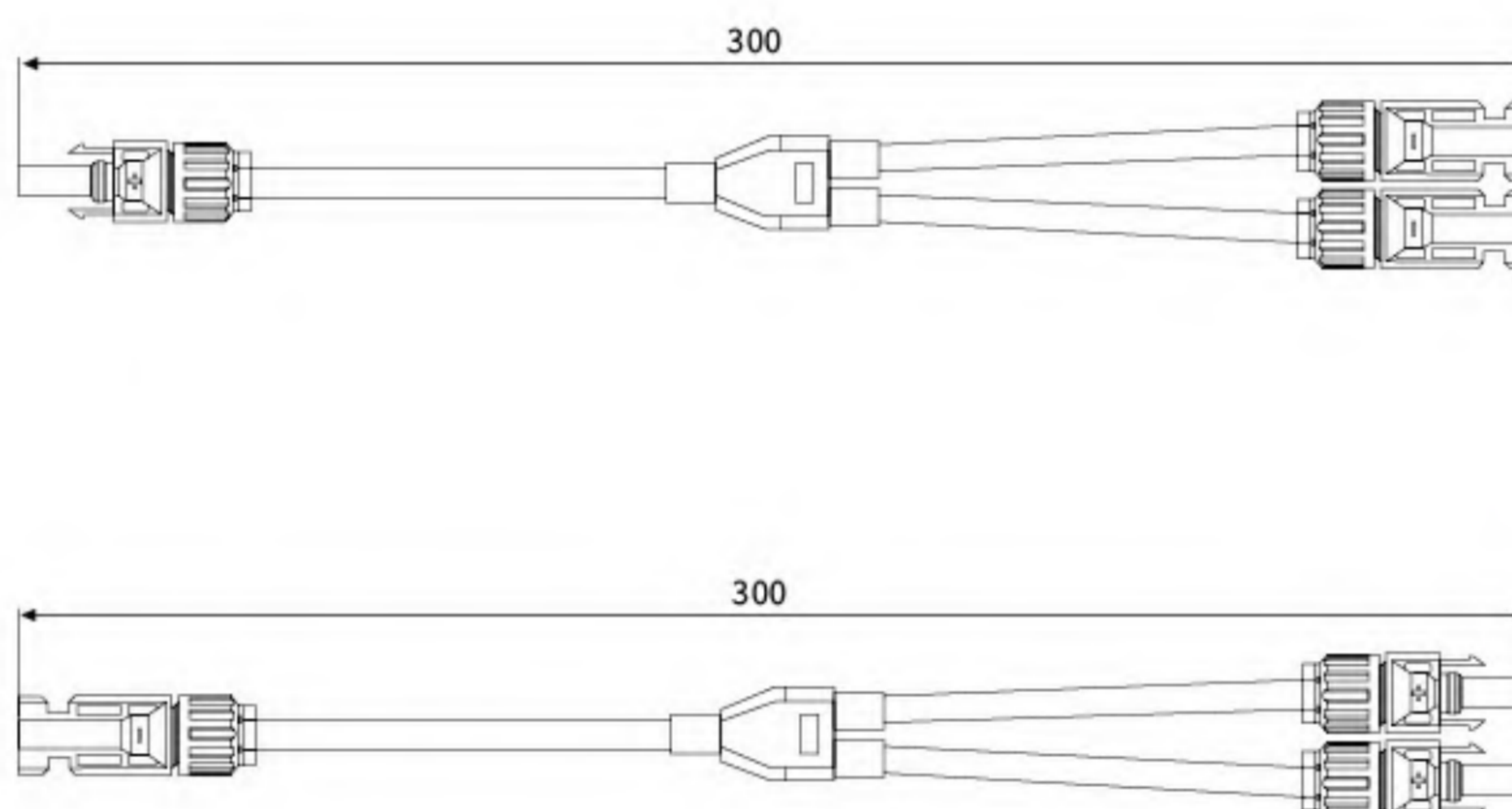
**PRODUCT
SELECTION MANUAL**
产品选型手册





光伏连接器 PV connector

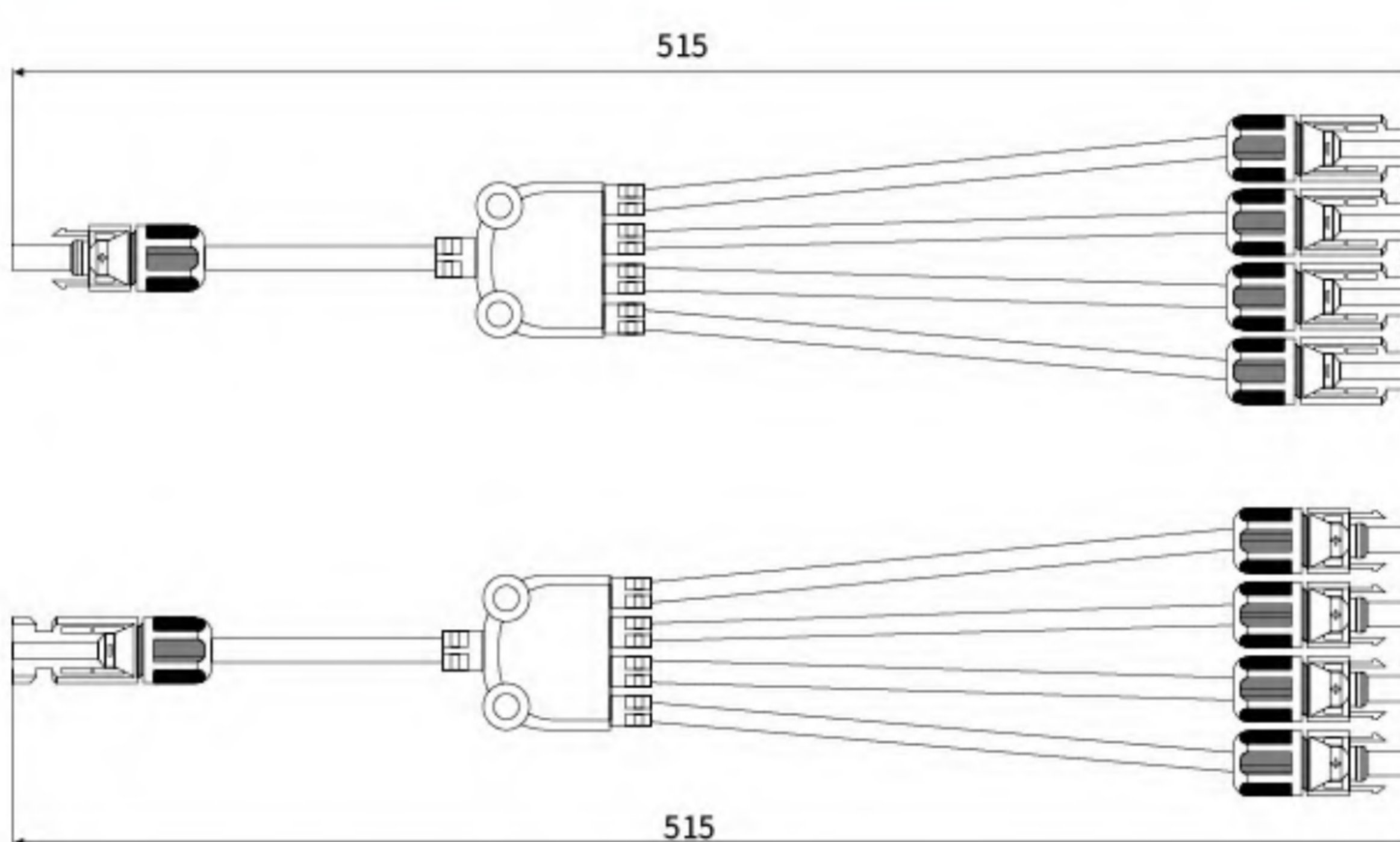
分支连接器 Branch connector GCPV-TA3 Y1/2



额定电流: 30A
 额定电压: 1000VDC(IEC)800DC(UL)
 环境温度范围: -40°C ~+90°C (ec)
 防护级别: IP67 防护等级 IP2X 防护等级
 插头连接器的接触电阻: 0.5mΩ
 接触材料: 紫铜, 镀锡
 锁定系统的连接方式: 嵌入式 (nur/only MC4)
 阻燃等级: UL94-HB/UL94-VO
 电缆尺寸: 2.5mm²、4mm²、6mm²
 二极管 / 熔丝型: 肖特基二极管 / 光伏熔丝

Rated current: 30A
 Rated voltage: 1000VDC(IEC) 800DC(UL)
 Ambient temperature range: -40°C ~+90°C (ec)
 Degree of protection: IP67 mated IP2X unmated
 Contact resistance of plug connectors: 0.5mΩ
 Contact material: Copper, tin plated
 Locking system plug connectors: Snap-in (nur/only MC4)
 Flame class: UL94-HB/UL94-VO
 Cable size: 2.5mm²、4mm²、6mm²
 Diode/Fuse Type: Schottky Diode/PV Fuse

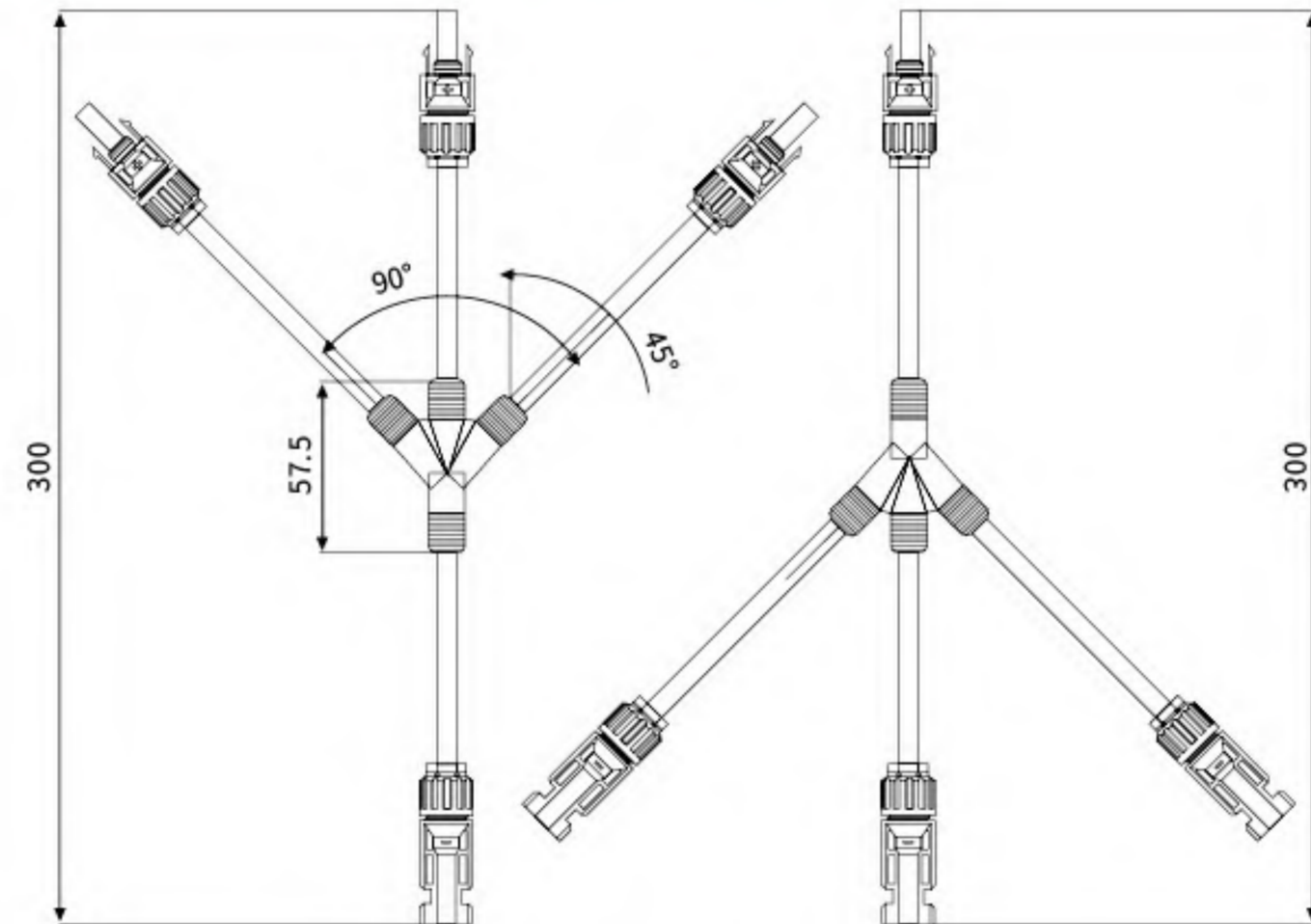
分支连接器 Branch connector GCPV-TA5 Y1/4



额定电流: 30A
 额定电压: 1000VDC(IEC)800DC(UL)
 环境温度范围: -40°C ~+90°C (ec)
 防护级别: IP67 防护等级 IP2X 防护等级
 插头连接器的接触电阻: 0.5mΩ
 接触材料: 紫铜, 镀锡
 连接方式: 嵌入式 (nur/only MC4)
 阻燃等级: UL94-HB/UL94-VO
 电缆尺寸: 2.5mm²、4mm²、6mm²
 二极管 / 熔丝型: 肖特基二极管 / 光伏熔丝

Rated current: 30A
 Rated voltage: 1000VDC(IEC) 800DC(UL)
 Ambient temperature range: -40°C ~+90°C (ec)
 Degree of protection: IP67 mated IP2X unmated
 Contact resistance of plug connectors: 0.5mΩ
 Contact material: Copper, tin plated
 Locking system plug connectors: Snap-in (nur/only MC4)
 Flame class: UL94-HB/UL94-VO
 Cable size: 2.5mm²、4mm²、6mm²
 Diode/Fuse Type: Schottky Diode/PV Fuse

分支连接器 Branch connector GCPV-TA4 Y1/3



额定电流: 30A
 额定电压: 1000VDC(IEC)800DC(UL)
 环境温度范围: -40°C ~+90°C (ec)
 防护级别: IP67 防护等级 IP2X 防护等级
 插头连接器的接触电阻 :0.5mΩ
 接触材料: 紫铜, 镀锡
 连接方式: 嵌入式 (nur/onlyMC4)
 阻燃等级: UL94-HB/UL94-V0
 电缆尺寸: 2.5mm²、4mm²、6mm²
 二极管 / 熔丝型: 肖特基二极管 / 光伏熔丝

Rated current:30A
 Rated voltage:1000VDC(IEC) 800DC(UL)
 Ambient temperature range:-40°C ~+90°C (ec)
 Degree of protection:IP67mated IP2X unmated
 Contact resistance of plug connectors:0.5mΩ
 Contact material:Copper, tin plated
 Locking system plug connectors:Snap-in(nur/only MC4)
 Flame class:UL94-HB/UL94-V0
 Cable size:2.5mm²、4mm²、6mm²
 Diode/Fuse Type: Schottky Diode/PV Fuse